

Auto Faucet

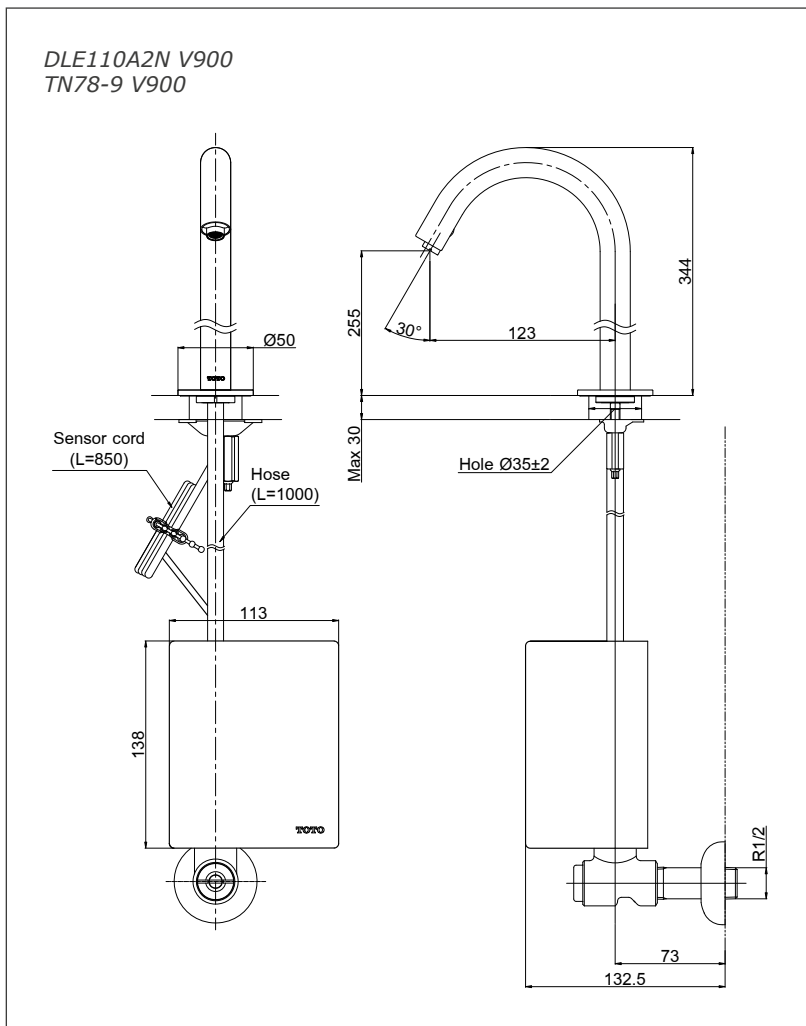


Features

- Hands-free usage increases hygiene
- Self-generated power saves electricity
- Water saving
- TOTO aerated bubble technology adds air to the water to achieve full water jet

Specifications

- Water Pressure : 0.05MPa~0.75MPa
 Water Usage : 2.4L/min
 Finish : Nickel Chrome



Parts Description

- **DLE110A2N V900**
Auto Faucet (Spout Only)
(Cold Water Only)
- **TN78-9 V900**
Self-Powered Controller

DLE110A2N V900
TN78-9 V900

Auto Faucet

Flow Rate *DLE110A2N V900 + TN78-9 V900*

