



Features

- Stylish design, high profile Close Coupled Toilet
- Dual Flush System
- Water Saving

Specifications

Flush System	: Wash Down
Water Use	: 4.8L / 3L
Rough-in	: H=180 mm (TX215C)
Bowl Shape	: Elongated
Water Pressure	: 0.05Mpa~0.75Mpa
Material	: Seat & Cover -PP
Size	: 379W x 695D x 763H mm



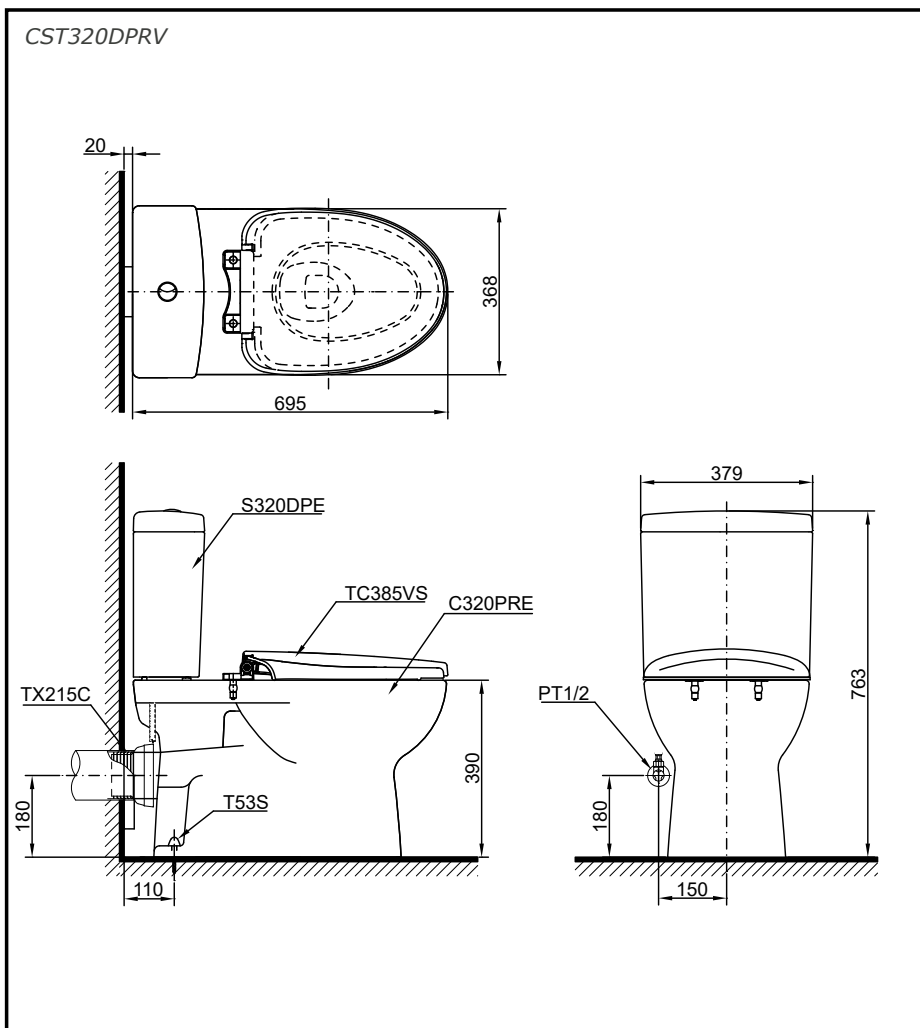
Parts description

Fittings, Tank, Slip-in Connector, Seat & Cover are included

- **CST320DPRV**
Elongated Closet Bowl (P-Trap)
(Rough-in 180)
- **TC385VS**
Softclose Seat & Cover
- **TX215C**
Slip-in Connector

Colors

White



Please consult a TOTO representative for details