

CW823J

IDR 8,710,000.00

6 L Tornado-II Siphonic Flush

Solid Duroplast Seat & Cover

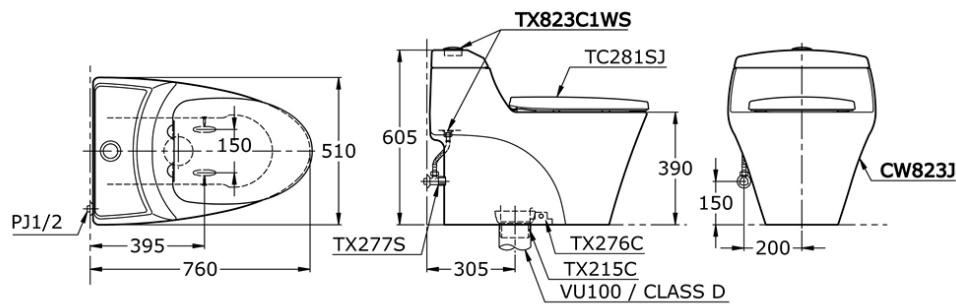
Bowl Shape: Elongated

Rough-in: 305 mm

Bowl Shape: Elongated



AVANTE CW 823 J



Some products may not be available in your area

Prices indicated are manufacturer's suggested retail price, prices may change anytime without notice.

Please check with your nearest reseller for updated prices.

Prices shown for lavatory does not include faucet.