

NEOREST AH Luxurious Intergrated Toilet



CW985VA/TCF9786WA
CW985PVA/TCF9786WA

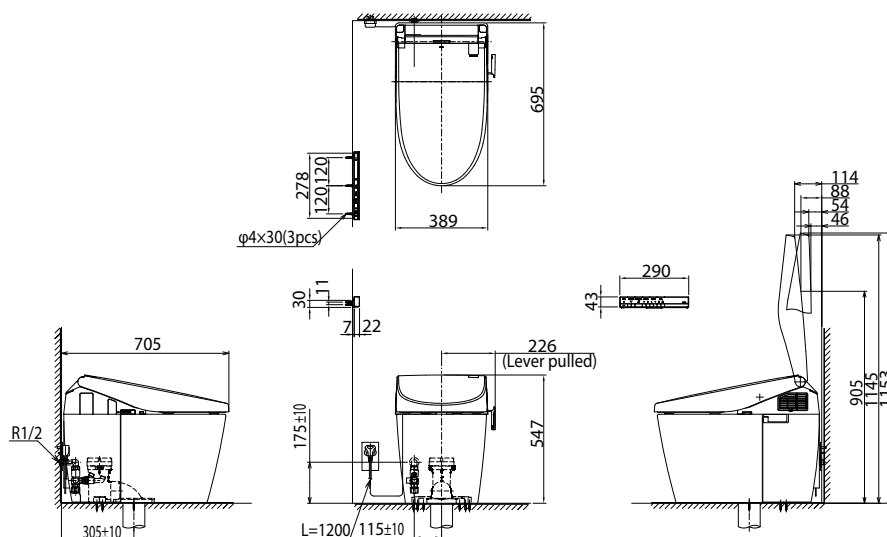
Features

- Hybrid Ecology System
 - water saving dual flush 3.8 / 3L (CS985PVA 4.8 / 3.4L)
 - minimum required water pressure only at 0.05Mpa (Dynamic)
- Tornado Flushing for powerful flushing effect with less amount of water
- *e*water⁺ automatically spreads out and keeps clean toilet bowl and nozzle by preventing bacteria with sanitizing effect
- CeFiONtect prevents debris on toilet surface
- Fully equipped with comfortable rear, front and oscillating cleansing functions
- Auto lid opening and closing function
- Auto soft light function usable for night time usage

*e*water⁺ is made from tap water by electrolyzed chloride ion without any chemicals. After use, it returns to normal water in the state of safe and environmental friendly.



CW985VA / TCF9786WA



Specifications

- Flush System** : Siphon-Jet
Tornado Flush
- Water Use** : 3.8L / 3L (CS985VA)
4.8L / 3.4L (CS985PVA)
- Rough-in** : 305 mm (CS985VA)
H=120~155 mm (CS985PVA)
- Bowl Shape** : Elongated
- Water Pressure** : 0.05Mpa~0.75Mpa
- Power Rating** : 220~240V , 50/60Hz ,
830~839W
- Length of Power Cord** : 1.2 m
- Material** : Bowl -Vitreous China
Seat & Cover -Plastic
Remote Controller
- Aluminium
- Size** : 389W x 705D x 547H mm

Parts description

- **CS985VA**
Elongated Closet Bowl (S-Trap)
(Rough-in 305)
- **CS985VA**
Elongated Closet Bowl (P-Trap)
(Rough-in 120~155)
- **TCF9786WA**
WASHLET unit

Colors

White (cefiontect)

Please consult a TOTO representative for details

