

## Dorian One-Piece Toilet

# MS914V

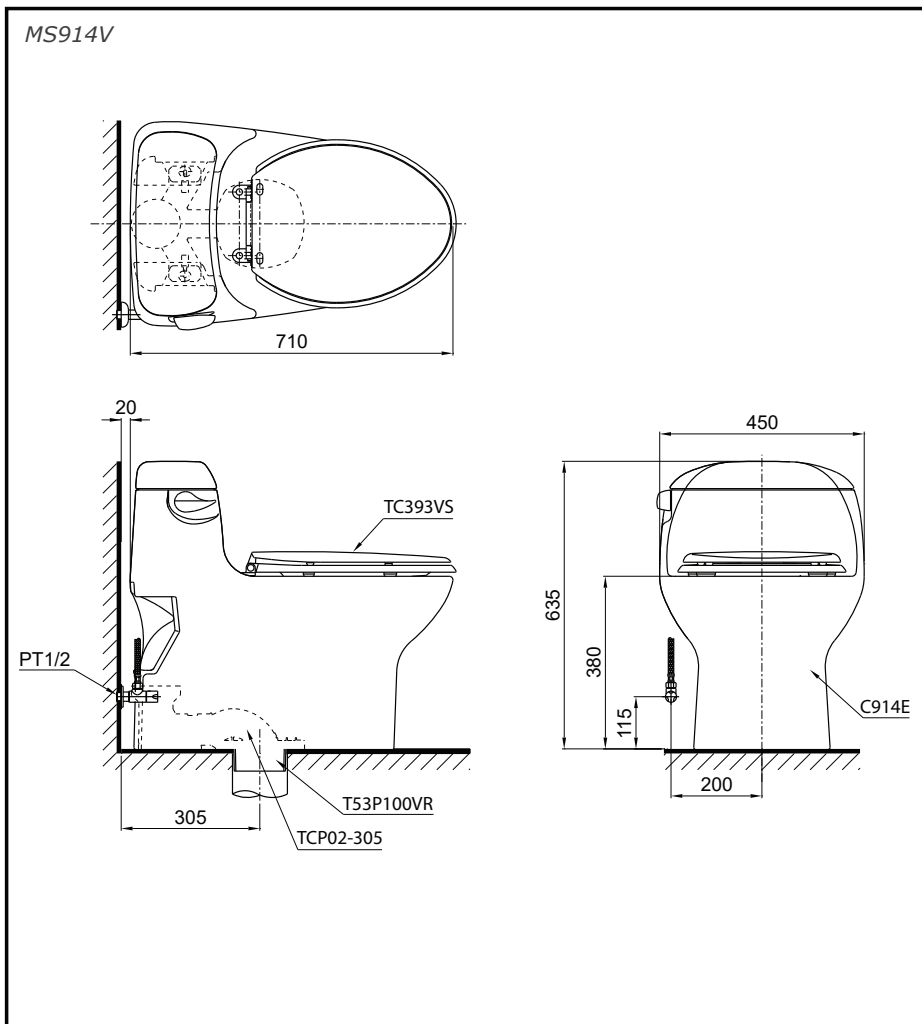


## Features

- *Luxury and contemporary design, One-Piece Toilet*
- *CeFiONtect technology: super smooth, ion barrier glazing for a clean toilet bowl*
- *G-max technology: quiet powerful, commercial grade flushing performance*
- *Skirted styling with concealed trapway for easy cleaning*
- *Large water surface*
- *Upgrade with a Softclose Seat & Cover or WASHLET*

## Specifications

Flush System	: Siphon-Jet
Water Use	: 6L
Rough-in	: 305 mm
Bowl Shape	: Elongated
Water Pressure	: 0.05Mpa~0.7Mpa
Size	: 450W x 710D x 633H mm



## Parts description

Fittings included, Seat & Cover are not included

- **C914E**  
Elongated Closet Bowl (S-Trap)  
(Rough-in 305)
- **HAP004A-F**  
Stop Valve (w/ Flexible Hose)
- **T53P100VR**  
Floor Flange (w/ seal gasket)
- **TCP02-305**  
Outlet Connector

## Colors

White (cefiontect)

Please consult a TOTO representative for details