

NEOREST LE I Wall Hung Toilet

CW994P / TCF994WA



Features

- Integrated appearance of luxury, stylish, elegant
- Tornado Flushing for powerful flushing effect with less amount of water
- Integrated WASHLET features front and rear warm water washing
- *e*water⁺ spreads out and keeps clean toilet bowl and nozzle by preventing bacteria with sanitizing effect
- Automatic operation : Lid opens, closes and toilet flushes when sensor is activated
- Auto soft light function usable for night time usage

*e*water⁺ is made from tap water by electrolyzed chloride ion without any chemicals. After use, it returns to normal water in the state of safe and environmental friendly.

Specifications

- Flush System : Tornado
- Water Use : 4.5L / 3L
- Rough-in : H=220 mm
- Water Pressure : 0.05MPa~0.75MPa
- Power Rating : 220~240V , 50/60Hz
839~849W
- Length of Power Cord : 1.0m
- Size : 423W x 675D x 461H mm

Parts description

WASHLET included

- **CW994P**
Water Closet Bowl (P-Trap)
(Rough-in 220)
- **TCF994WA**
WASHLET Unit

Optional Parts

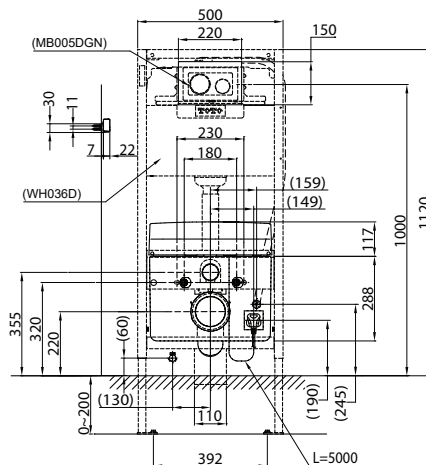
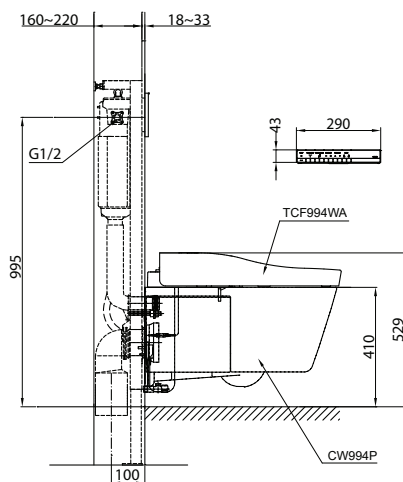
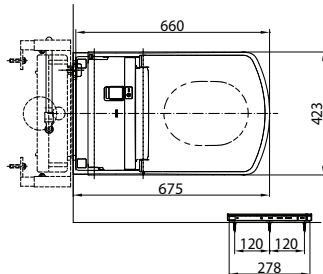
- WH036D
Concealed Cistern w/Frame
- MB005DGN
Flush Panel

Colors

White (cefiontect)

Please consult a TOTO representative for details

CW994P / TCF994WA



() Recommended Dimension